

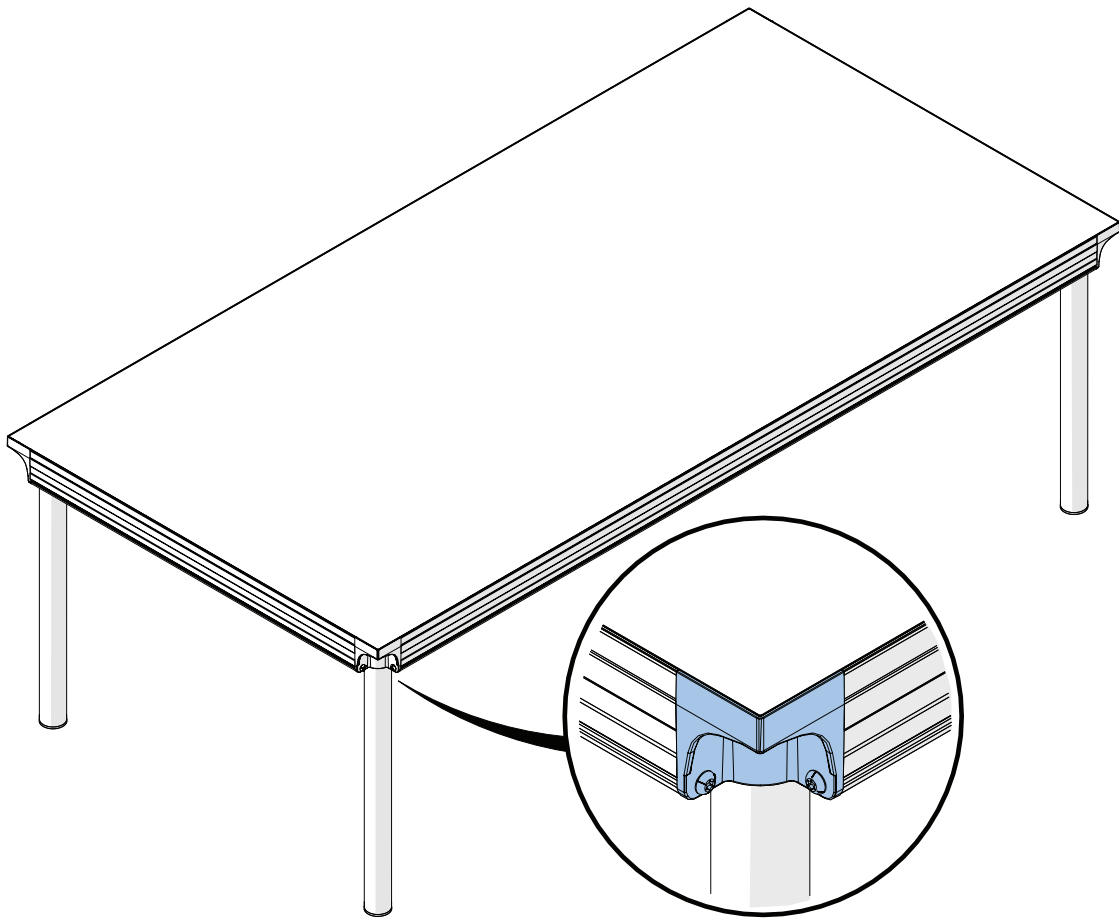


Replacement Instructions Corner Pocket for StageTek® Staging System

Basic Instructions only!
For more detailed product information, refer to the StageTek Staging System Owner's Manual 280A099 or StageTek Outdoor Staging System Owner's Manual 284A099.

CAUTION
Make sure anyone assembling, installing or using this product has read and understands these instructions.

CAUTION
Failure to comply with Warnings and Cautions in this document or on the equipment can result in damage to property or injury.



Visit the StageTek Staging System web page at wengercorp.com for more information.

Note: Please read and understand these instructions before proceeding.
Note: If you need additional information, contact Wenger Corporation using the information below.

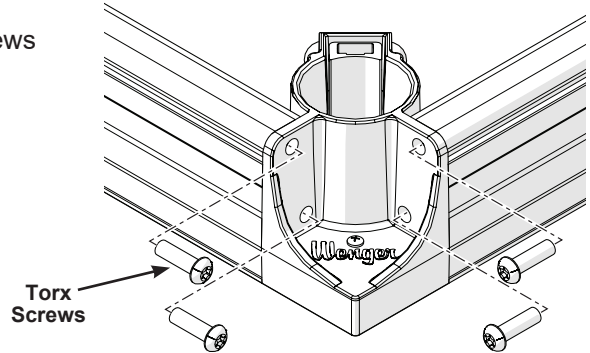
Remove Old Corner Pocket

1. Using two people, lay the platform deck upside down on a clean surface.

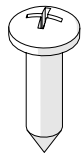
CAUTION

Two people are recommended to lift the platform decks.

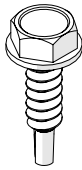
2. If there is a leg attached to the corner pocket being replaced, remove the leg before proceeding.
3. Remove the corner pocket casting.
 - a. **Remove and discard** the four 3/8-16 x 1-1/4 Torx® screws that secure the casting to the frame extrusions.



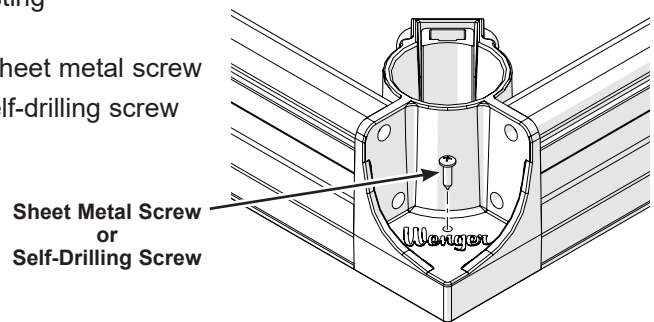
- b. **Remove and keep** the screw that secures the casting to the deck underside.
 - Standard StageTek decks use a #10-16 x 3/4" sheet metal screw
 - Outdoor StageTek decks use a #10-16 x 3/4" self-drilling screw



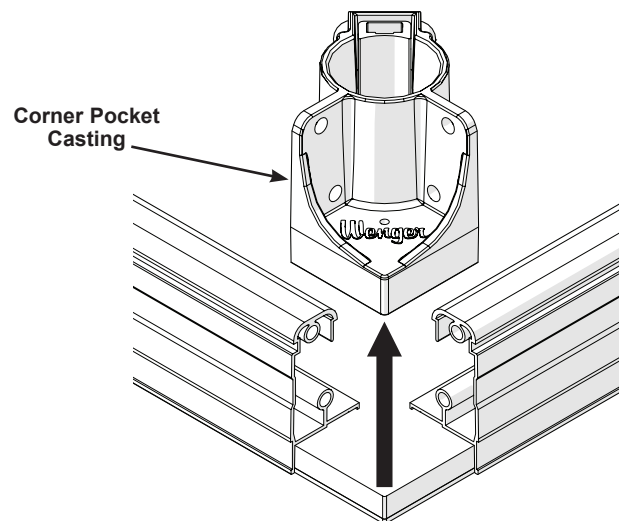
#10-16 x 3/4"
Sheet Metal Screw
for Standard StageTek



#10-16 x 3/4"
Self-Drilling Screw
for Outdoor StageTek

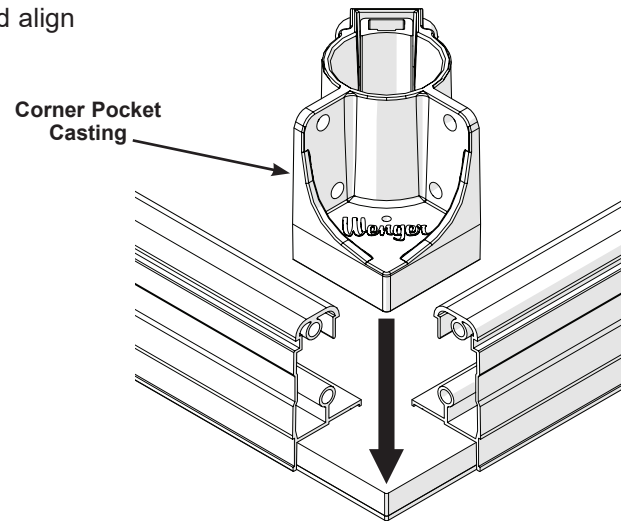


- c. **Remove and discard** the corner pocket casting.

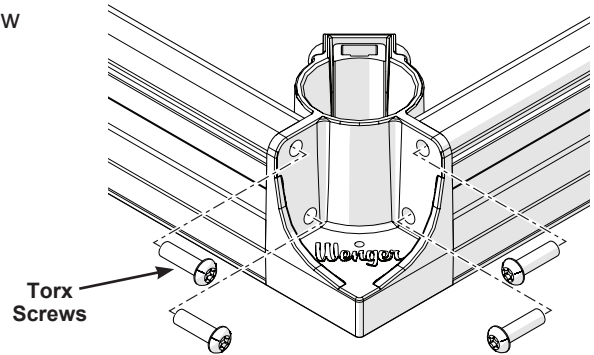


Attach New Corner Pocket

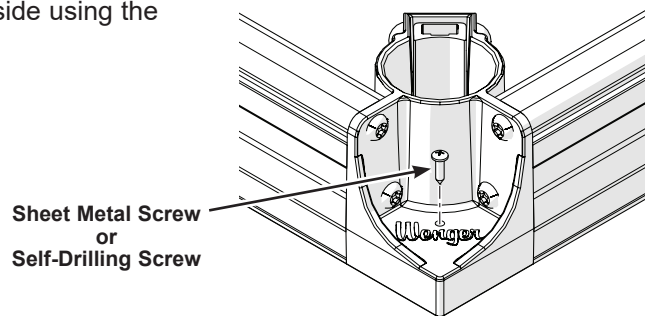
1. Attach the new corner pocket casting.
 - a. Position the new casting onto the deck underside and align the edges with both frame extrusions.



- b. Attach the casting to the frame extrusions using four new 3/8-16 x 1-1/4 torx screws.
Verify alignment and adjust if necessary.



- c. Attach the bottom of the casting to the deck underside using the original screw.



2. Replace the leg and turn the deck assembly right-side up.
-

This page is intentionally blank.